

## Embed in Concrete RFID tags

**OPP4601**

OPP4601 is a RFID tag specially apply to concrete and construction industry. With excellent high temperature, corrosion, impact resistance and other properties.



### Functional Specifications:

RFID Protocol:	EPC Class1 Gen2, ISO18000-6C
Frequency:	US(902-928MHZ)
IC type:	NXP Ucode 8
Memory:	EPC 128 bits , USER 0 bits, TID 96 bits
Write Cycles:	100,000 times
Functionality:	Read/write
Data Retention:	50 Years
Applicable Surface:	Metal Surfaces
Read range on metal: (Fix Reader)	9.8m, US(902-928MHZ), on metal
Read range on metal: (Handheld Reader)	4.8m, US(902-928MHZ), on metal
Warranty:	1 Year

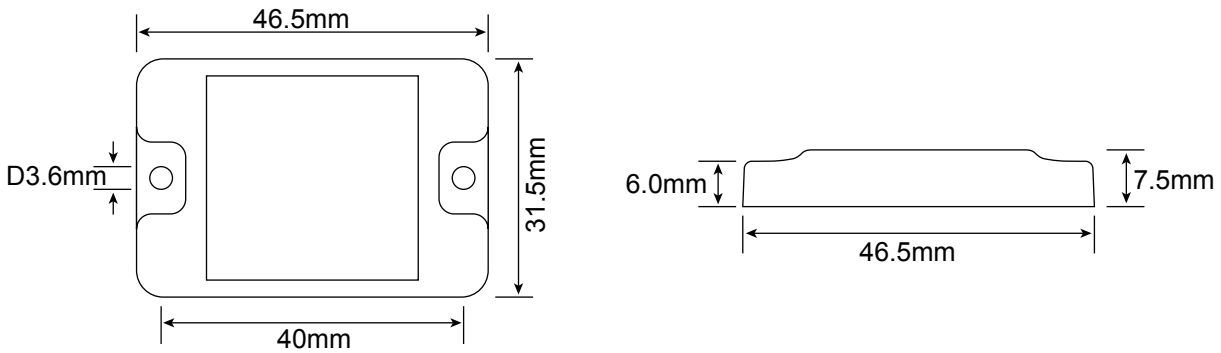
### Environmental Specification:

IP Rating:	IP68
Storage Temperature:	-40°C to +150°C
Operation Temperature:	-25°C to +100°C
Certifications:	Reach Approved, RoHS Approved, CE Approved, ATEX Approved.

**Physical Specification:**

Size:	46.5x31.5mm, Hole:D3.6mmx2
Thickness:	7.5mm
Material:	PPS
Colour:	Black
Mounting Methods:	Embedded in concrete
Weight:	22g

**Dimensions:**



OPP4601U1, Metal Surface(902-928MHZ):

